



MANHOLE COVERS DIRECT
All Purpose Manhole Design & Fabrication

WE MAKE
THEM **QUICK**

WE MAKE
THEM **CUSTOM**

WE MAKE
THEM **FIT** NEW OR EXISTING SPACES

Product Catalogue

SMALL SQUARE STEEL MANHOLES BASE FLANGE FRAME



ALL PURPOSE ASTM-A36 CARBON STEEL ACCESS MANHOLES ARE INTENDED FOR CONCRETE, ASPHALT, GRASS OR DIRT INSTALLATION. ADA COMPLIANT DIAMOND PLATE COVER WITH NON-SKID SURFACE. RATED FOR H-20 SINGLE POINT WHEEL LOADING FOR VEHICLE TRAFFIC UNDER 25MPH. HEAVY DUTY FLAT BAR FRAME, ALL WELDED CONSTRUCTION. PAINTED BLACK FINISH. MADE IN THE USA.



LAY IN COVER

Lay In Style with 1/2" x 1" Pick Hole for Easy Removal



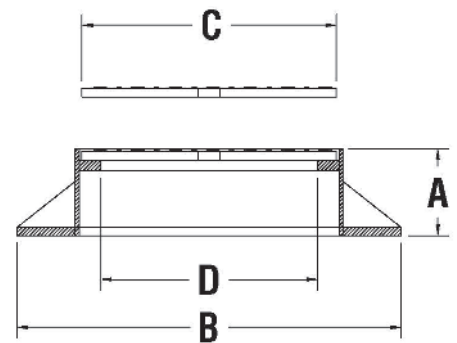
BOLT DOWN COVER

Bolt Down Style with Gasket, Stainless Steel Hardware

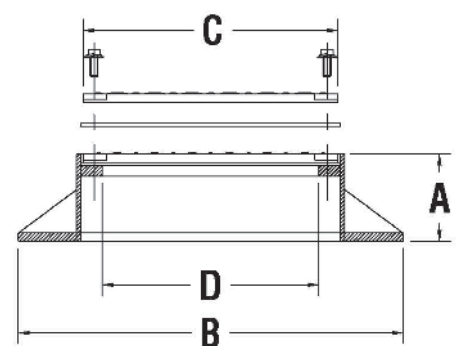


SIZE	LAY IN MODEL	BOLT DOWN MODEL	A	B	C	D
8"	S2-8x2-STN	S2-8x2-BD	2"	12"	8-3/8"	5-3/4"
	S2-8x3-STN	S2-8x3-BD	3"			
	S2-8x4-STN	S2-8x4-BD	4"			
	S2-8x5-STN	S2-8x5-BD	5"			
	S2-8x6-STN	S2-8x6-BD	6"			
	S2-8x8-STN	S2-8x8-BD	8"			
	S2-8x10-STN	S2-8x10-BD	10"			
	S2-8x12-STN	S2-8x12-BD	12"			
12"	S2-12x2-STN	S2-12x2-BD	2"	17"	12-3/8"	9-1/2"
	S2-12x3-STN	S2-12x3-BD	3"			
	S2-12x4-STN	S2-12x4-BD	4"			
	S2-12x5-STN	S2-12x5-BD	5"			
	S2-12x6-STN	S2-12x6-BD	6"			
	S2-12x8-STN	S2-12x8-BD	8"			
	S2-12x10-STN	S2-12x10-BD	10"			
	S2-12x12-STN	S2-12x12-BD	12"			
18"	S2-18x2-STN	S2-18x2-BD	2"	22-3/4"	18"	15"
	S2-18x3-STN	S2-18x3-BD	3"			
	S2-18x4-STN	S2-18x4-BD	4"			
	S2-18x5-STN	S2-18x5-BD	5"			
	S2-18x6-STN	S2-18x6-BD	6"			
	S2-18x8-STN	S2-18x8-BD	8"			
	S2-18x10-STN	S2-18x10-BD	10"			
	S2-18x12-STN	S2-18x12-BD	12"			

LAY IN COVER



BOLT DOWN COVER



MEDIUM SQUARE STEEL MANHOLES BASE FLANGE FRAME



ALL PURPOSE ASTM-A36 CARBON STEEL ACCESS MANHOLES ARE INTENDED FOR CONCRETE, ASPHALT, GRASS OR DIRT INSTALLATION. ADA COMPLIANT DIAMOND PLATE COVER WITH NON-SKID SURFACE. RATED FOR H-20 SINGLE POINT WHEEL LOADING FOR VEHICLE TRAFFIC UNDER 25MPH. HEAVY DUTY FLAT BAR FRAME, ALL WELDED CONSTRUCTION. PAINTED BLACK FINISH. MADE IN THE USA.



LAY IN COVER

Lay In Style with 1/2" x 1" Pick Hole for Easy Removal



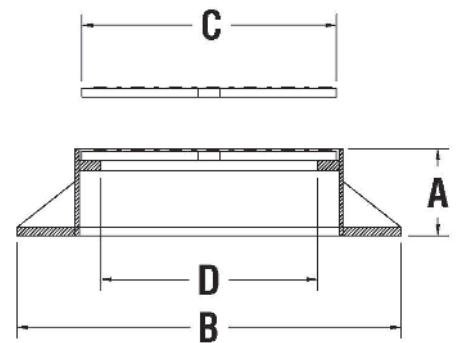
BOLT DOWN COVER

Bolt Down Style with Gasket, Stainless Steel Hardware, Recessed Pick Eye Handle

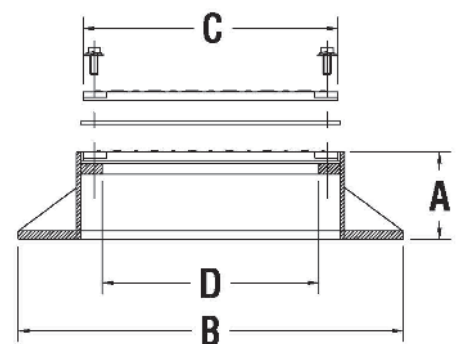


SIZE	LAY IN MODEL	BOLT DOWN MODEL	A	B	C	D
20"	S2-20x2-STN	S2-20x2-BD	2"	23-3/4"	19-3/4"	18"
	S2-20x3-STN	S2-20x3-BD	3"			
	S2-20x4-STN	S2-20x4-BD	4"			
	S2-20x5-STN	S2-20x5-BD	5"			
	S2-20x6-STN	S2-20x6-BD	6"			
	S2-20x8-STN	S2-20x8-BD	8"			
	S2-20x10-STN	S2-20x10-BD	10"			
	S2-20x12-STN	S2-20x12-BD	12"			
24"	S2-24x2-STN	S2-24x2-BD	2"	28-3/8"	23-3/4"	22"
	S2-24x3-STN	S2-24x3-BD	3"			
	S2-24x4-STN	S2-24x4-BD	4"			
	S2-24x5-STN	S2-24x5-BD	5"			
	S2-24x6-STN	S2-24x6-BD	6"			
	S2-24x8-STN	S2-24x8-BD	8"			
	S2-24x10-STN	S2-24x10-BD	10"			
	S2-24x12-STN	S2-24x12-BD	12"			
30"	S2-30x2-STN	S2-30x2-BD	2"	34-3/8"	29-3/4"	28"
	S2-30x3-STN	S2-30x3-BD	3"			
	S2-30x4-STN	S2-30x4-BD	4"			
	S2-30x5-STN	S2-30x5-BD	5"			
	S2-30x6-STN	S2-30x6-BD	6"			
	S2-30x8-STN	S2-30x8-BD	8"			
	S2-30x10-STN	S2-30x10-BD	10"			
	S2-30x12-STN	S2-30x12-BD	12"			

LAY IN COVER



BOLT DOWN COVER



LARGE SQUARE STEEL MANHOLES BASE FLANGE FRAME



ALL PURPOSE ASTM-A36 CARBON STEEL ACCESS MANHOLES ARE INTENDED FOR CONCRETE, ASPHALT, GRASS OR DIRT INSTALLATION. ADA COMPLIANT DIAMOND PLATE COVER WITH NON-SKID SURFACE. RATED FOR H-20 SINGLE POINT WHEEL LOADING FOR VEHICLE TRAFFIC UNDER 25MPH. HEAVY DUTY FLAT BAR FRAME, ALL WELDED CONSTRUCTION. PAINTED BLACK FINISH. MADE IN THE USA.



LAY IN COVER

Lay In Style with Round Bar Handles



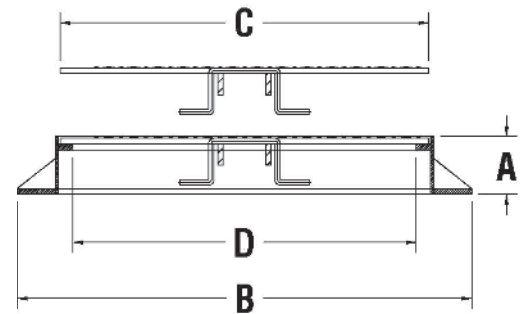
BOLT DOWN COVER

Bolt Down Style with Gasket, Stainless Steel Hardware, Recessed Pick Eye Handles



SIZE	LAY IN MODEL	BOLT DOWN MODEL	A	B	C	D
32"	S2-32x2-STN	S2-32x2-BD	2"	35-3/4"	31-3/4"	30"
	S2-32x3-STN	S2-32x3-BD	3"			
	S2-32x4-STN	S2-32x4-BD	4"			
	S2-32x5-STN	S2-32x5-BD	5"			
	S2-32x6-STN	S2-32x6-BD	6"			
	S2-32x8-STN	S2-32x8-BD	8"			
	S2-32x10-STN	S2-32x10-BD	10"			
	S2-32x12-STN	S2-32x12-BD	12"			
36"	S2-36x2-STN	S2-36x2-BD	2"	41-3/8"	35-3/4"	34"
	S2-36x3-STN	S2-36x3-BD	3"			
	S2-36x4-STN	S2-36x4-BD	4"			
	S2-36x5-STN	S2-36x5-BD	5"			
	S2-36x6-STN	S2-36x6-BD	6"			
	S2-36x8-STN	S2-36x8-BD	8"			
	S2-36x10-STN	S2-36x10-BD	10"			
	S2-36x12-STN	S2-36x12-BD	12"			
38"	S2-38x2-STN	S2-38x2-BD	2"	43-3/8"	37-3/4"	36"
	S2-38x3-STN	S2-38x3-BD	3"			
	S2-38x4-STN	S2-38x4-BD	4"			
	S2-38x5-STN	S2-38x5-BD	5"			
	S2-38x6-STN	S2-38x6-BD	6"			
	S2-38x8-STN	S2-38x8-BD	8"			
	S2-38x10-STN	S2-38x10-BD	10"			
	S2-38x12-STN	S2-38x12-BD	12"			

LAY IN COVER



BOLT DOWN COVER

