



MANHOLE COVERS DIRECT
All Purpose Manhole Design & Fabrication

WE MAKE
THEM **QUICK**

WE MAKE
THEM **CUSTOM**

WE MAKE
THEM **FIT** NEW OR
EXISTING
SPACES

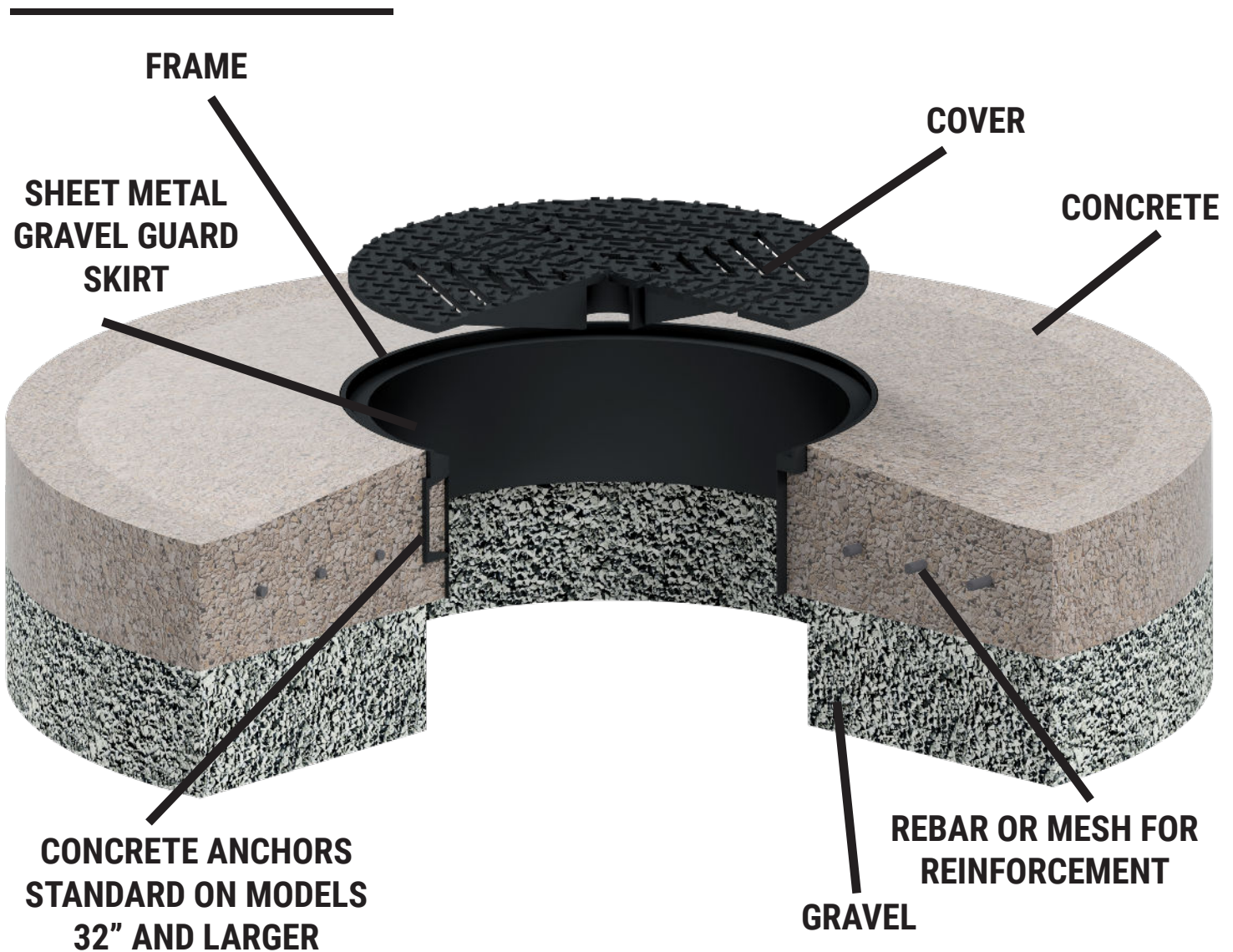
Product Catalogue - Drains

ROUND STEEL MANHOLES GRAVEL GUARD FRAME



INSTALLED VIEW

INTENDED FOR CONCRETE INSTALLATION



FRAME

COVER

CONCRETE

SHEET METAL
GRAVEL GUARD
SKIRT

REBAR OR MESH FOR
REINFORCEMENT

GRAVEL

CONCRETE ANCHORS
STANDARD ON MODELS
32" AND LARGER

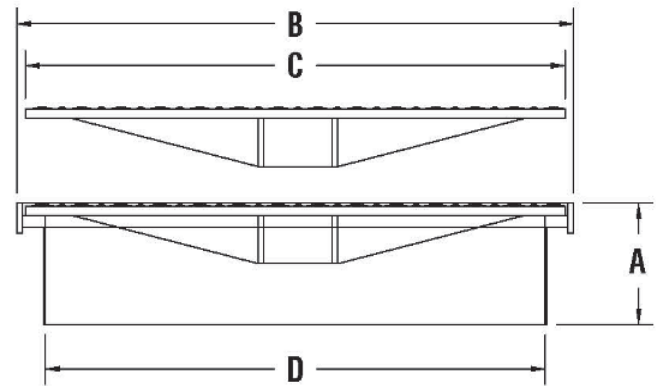
ROUND STEEL DRAIN MANHOLE GRAVEL GUARD FRAME



ALL PURPOSE ASTM-A36 CARBON STEEL DRAIN MANHOLES DESIGNED TO BE INSTALLED IN CONCRETE APPLICATIONS. DIAMOND PLATE COVER WITH NON-SKID SURFACE. RATED FOR H-20 SINGLE POINT WHEEL LOADING FOR VEHICLE TRAFFIC UNDER 25MPH. HEAVY DUTY T FRAME AND 14 GAUGE SKIRT, ALL WELDED CONSTRUCTION. PAINTED BLACK FINISH. MADE IN THE USA.

LAY IN COVERS

1/2" Drain Slots, Gusset Reinforcements



SIZE	MODEL	A	B	C	D
8"	R-8x4-DC	4-3/4"	9-3/16"	8-3/8"	5-3/4"
	R-8x6-DC	6-3/4"			
	R-8x8-DC	8-3/4"			
	R-8x12-DC	12-3/4"			
	R-8x18-DC	18-3/4"			
	R-8x24-DC	24-3/4"			
	R-8x36-DC	36-3/4"			
12"	R-12x4-DC	4-3/4"	13-1/8"	12-3/8"	9-1/2"
	R-12x6-DC	6-3/4"			
	R-12x8-DC	8-3/4"			
	R-12x12-DC	12-3/4"			
	R-12x18-DC	18-3/4"			
	R-12x24-DC	24-3/4"			
	R-12x36-DC	36-3/4"			
18"	R-18x4-DC	4-3/4"	18-3/4"	18"	15"
	R-18x6-DC	6-3/4"			
	R-18x8-DC	8-3/4"			
	R-18x12-DC	12-3/4"			
	R-18x18-DC	18-3/4"			
	R-18x24-DC	24-3/4"			
	R-18x36-DC	36-3/4"			
20"	R-20x4-DC	5"	20-1/2"	19-3/4"	18"
	R-20x6-DC	7"			
	R-20x8-DC	9"			
	R-20x12-DC	13"			
	R-20x18-DC	19"			
	R-20x24-DC	25"			
	R-20x36-DC	37"			

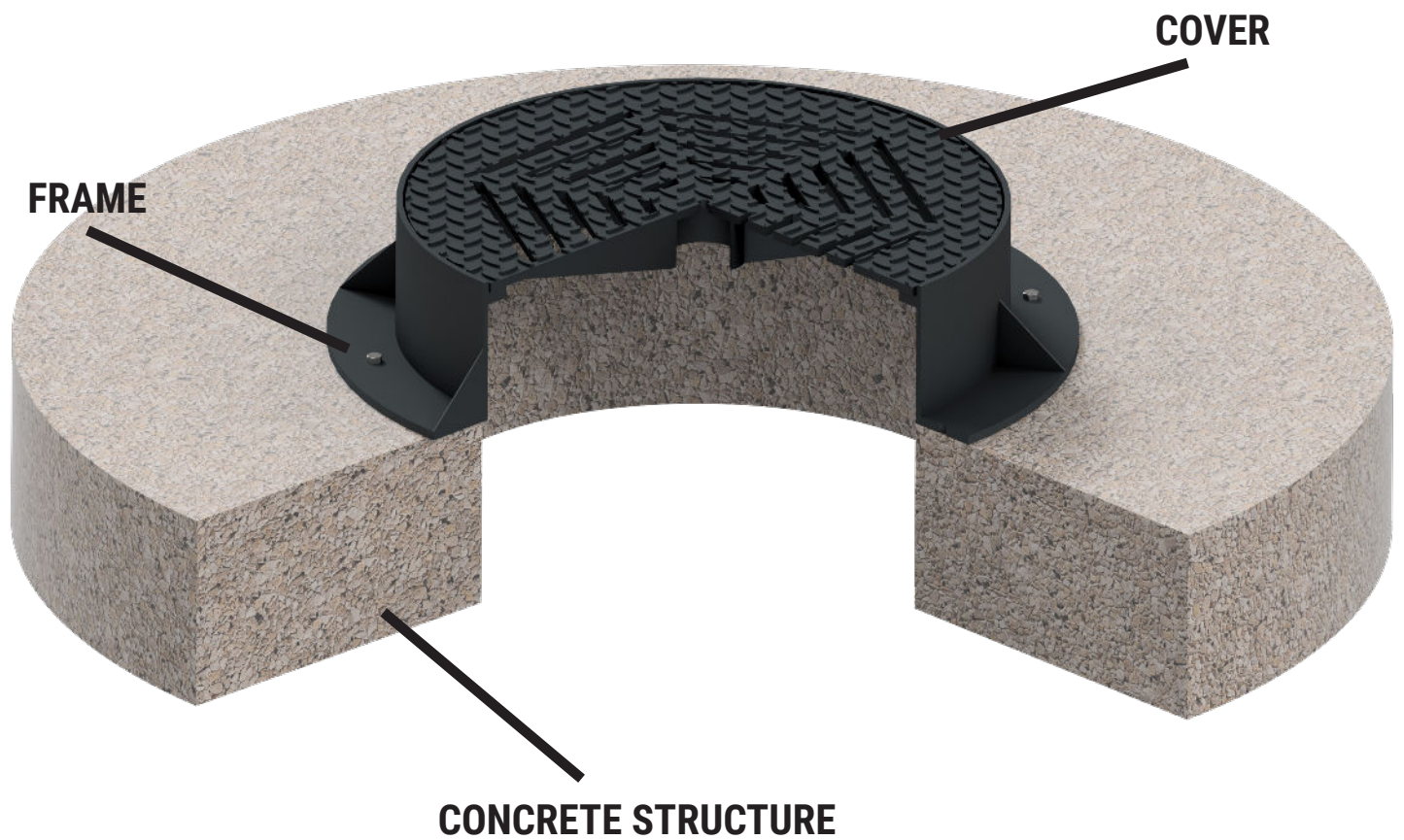
SIZE	MODEL	A	B	C	D
24"	R-24x4-DC	5"	24-1/2"	23-3/4"	22"
	R-24x6-DC	7"			
	R-24x8-DC	9"			
	R-24x12-DC	13"			
	R-24x18-DC	19"			
	R-24x24-DC	25"			
	R-24x36-DC	37"			
30"	R-30x4-DC	5"	30-1/2"	29-3/4"	28"
	R-30x6-DC	7"			
	R-30x8-DC	9"			
	R-30x12-DC	13"			
	R-30x18-DC	19"			
	R-30x24-DC	25"			
	R-30x36-DC	37"			
32"	R-32x4-DC	5"	32-1/2"	31-3/4"	30"
	R-32x6-DC	7"			
	R-32x8-DC	9"			
	R-32x12-DC	13"			
	R-32x18-DC	19"			
	R-32x24-DC	25"			
	R-32x36-DC	37"			
36"	R-36x4-DC	5"	36-1/2"	35-3/4"	34"
	R-36x6-DC	7"			
	R-36x8-DC	9"			
	R-36x12-DC	13"			
	R-36x18-DC	19"			
	R-36x24-DC	25"			
	R-36x36-DC	37"			

ROUND STEEL MANHOLES BASE FLANGE FRAME



INSTALLED VIEW

INTENDED FOR CONCRETE OR ASPHALT INSTALLATION



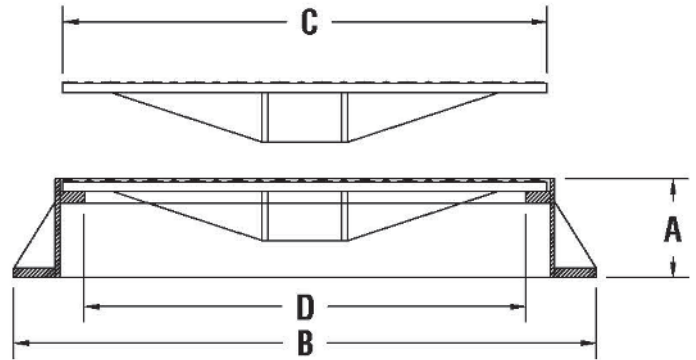
ROUND STEEL DRAIN MANHOLE BASE FLANGE FRAME



ALL PURPOSE ASTM-A36 CARBON STEEL DRAIN MANHOLES ARE INTENDED FOR CONCRETE, ASPHALT, GRASS OR DIRT INSTALLATION. DIAMOND PLATE COVER WITH NON-SKID SURFACE. RATED FOR H-20 SINGLE POINT WHEEL LOADING FOR VEHICLE TRAFFIC UNDER 25MPH. HEAVY DUTY FLAT BAR FRAME, ALL WELDED CONSTRUCTION. PAINTED BLACK FINISH. MADE IN THE USA.

LAY IN DRAIN COVERS

1/2" Drain Slots, Gusset Reinforcements



SIZE	MODEL	A	B	C	D
8"	R2-8x2-DC	2"	12"	8-3/8"	5-3/4"
	R2-8x3-DC	3"			
	R2-8x4-DC	4"			
	R2-8x5-DC	5"			
	R2-8x6-DC	6"			
	R2-8x8-DC	8"			
	R2-8x10-DC	10"			
	R2-8x12-DC	12"			
12"	R2-12x2-DC	2"	17"	12-3/8"	9-1/2"
	R2-12x3-DC	3"			
	R2-12x4-DC	4"			
	R2-12x5-DC	5"			
	R2-12x6-DC	6"			
	R2-12x8-DC	8"			
	R2-12x10-DC	10"			
	R2-12x12-DC	12"			
18"	R2-18x2-DC	2"	22-3/4"	18"	15"
	R2-18x3-DC	3"			
	R2-18x4-DC	4"			
	R2-18x5-DC	5"			
	R2-18x6-DC	6"			
	R2-18x8-DC	8"			
	R2-18x10-DC	10"			
	R2-18x12-DC	12"			
20"	R2-20x2-DC	2"	23-3/4"	19-3/4"	18"
	R2-20x3-DC	3"			
	R2-20x4-DC	4"			
	R2-20x5-DC	5"			
	R2-20x6-DC	6"			
	R2-20x8-DC	8"			
	R2-20x10-DC	10"			
	R2-20x12-DC	12"			

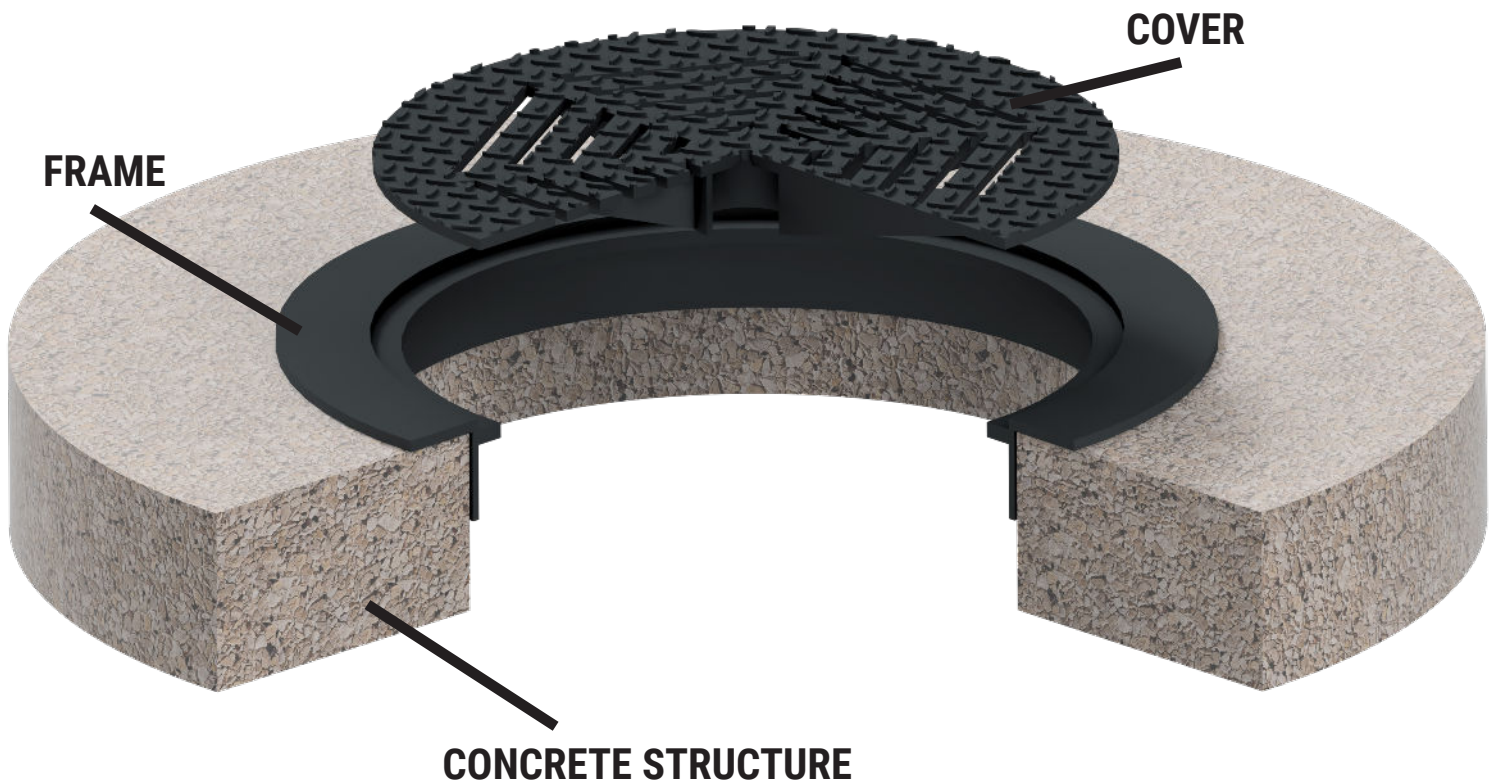
SIZE	MODEL	A	B	C	D
24"	R2-24x2-DC	2"	28-3/8"	23-3/4"	22"
	R2-24x3-DC	3"			
	R2-24x4-DC	4"			
	R2-24x5-DC	5"			
	R2-24x6-DC	6"			
	R2-24x8-DC	8"			
	R2-24x10-DC	10"			
	R2-24x12-DC	12"			
30"	R2-30x2-DC	2"	34-3/8"	29-3/4"	28"
	R2-30x3-DC	3"			
	R2-30x4-DC	4"			
	R2-30x5-DC	5"			
	R2-30x6-DC	6"			
	R2-30x8-DC	8"			
	R2-30x10-DC	10"			
	R2-30x12-DC	12"			
32"	R2-32x2-DC	2"	35-3/4"	31-3/4"	30"
	R2-32x3-DC	3"			
	R2-32x4-DC	4"			
	R2-32x5-DC	5"			
	R2-32x6-DC	6"			
	R2-32x8-DC	8"			
	R2-32x10-DC	10"			
	R2-32x12-DC	12"			
36"	R2-36x2-DC	2"	41-3/8"	35-3/4"	34"
	R2-36x3-DC	3"			
	R2-36x4-DC	4"			
	R2-36x5-DC	5"			
	R2-36x6-DC	6"			
	R2-36x8-DC	8"			
	R2-36x10-DC	10"			
	R2-36x12-DC	12"			

ROUND STEEL DRAIN MANHOLES TOP FLANGE FRAME



INSTALLED VIEW

INTENDED FOR CONCRETE INSTALLATION



ROUND STEEL DRAIN MANHOLES TOP FLANGE FRAME

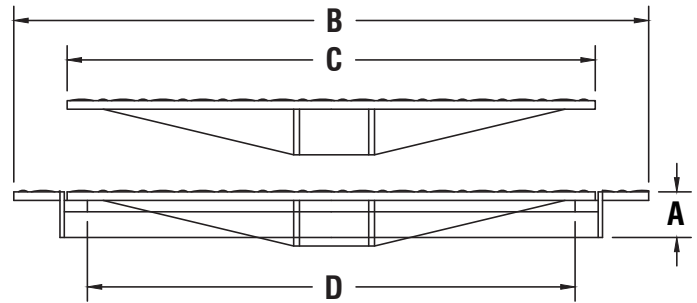


ALL PURPOSE ASTM-A36 CARBON STEEL DRAIN MANHOLES ARE INTENDED FOR CONCRETE INSTALLATION. DIAMOND PLATE COVER WITH NON-SKID SURFACE. RATED FOR H-20 SINGLE POINT WHEEL LOADING FOR VEHICLE TRAFFIC UNDER 25MPH. HEAVY DUTY FLAT BAR FRAME, ALL WELDED CONSTRUCTION. PAINTED BLACK FINISH. MADE IN THE USA.



LAY IN COVER

1/2" Drain Slots, Gusset Reinforcements



SIZE	MODEL	A	B	C	D
8"	R1-8x2-DC	2"	12"	8-3/8"	5-3/4"
	R1-8x3-DC	3"			
	R1-8x4-DC	4"			
12"	R1-12x2-DC	2"	17"	12-3/8"	9-1/2"
	R1-12x3-DC	3"			
	R1-12x4-DC	4"			
18"	R1-18x2-DC	2"	22-3/4"	18"	15"
	R1-18x3-DC	3"			
	R1-18x4-DC	4"			
20"	R1-20x2-DC	2"	23-3/4"	19-3/4"	18"
	R1-20x3-DC	3"			
	R1-20x4-DC	4"			

SIZE	MODEL	A	B	C	D
24"	R1-24x2-DC	2"	28-3/8"	23-3/4"	22"
	R1-24x3-DC	3"			
	R1-24x4-DC	4"			
30"	R1-30x2-DC	2"	34-3/8"	29-3/4"	28"
	R1-30x3-DC	3"			
	R1-30x4-DC	4"			
32"	R1-32x2-DC	2"	35-3/4"	31-3/4"	30"
	R1-32x3-DC	3"			
	R1-32x4-DC	4"			
36"	R1-36x2-DC	2"	41-3/8"	35-3/4"	34"
	R1-36x3-DC	3"			
	R1-36x4-DC	4"			

STEEL REPLACEMENT DRAIN COVERS HEAVY DUTY

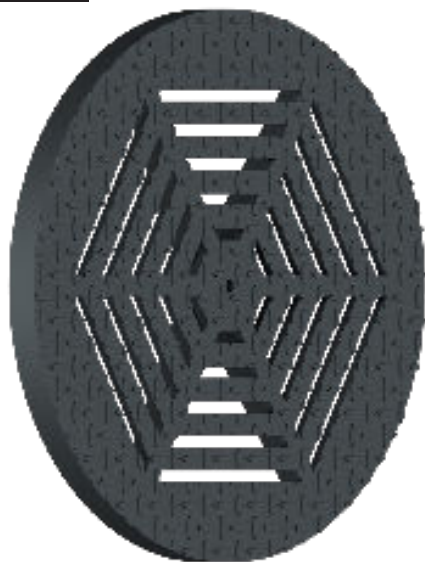


HEAVY DUTY ASTM-A36 CARBON STEEL REPLACEMENT DRAIN COVERS, NON SKID SURFACE, RATED FOR H-20 SINGLE POINT WHEEL LOADING FOR VEHICLE TRAFFIC UNDER 25MPH. IDEAL FOR GENERAL, AVERAGE VOLUME TRAFFIC APPLICATIONS SUCH AS ENTRANCES TO PARKING LOTS, LOADING DOCKS, AREAS THAT EXPERIENCE HEAVY EQUIPMENT OR TRUCK TRAFFIC, ETC. NOT FOR HIGHWAY USE. PAINTED BLACK FINISH. MADE IN USA.

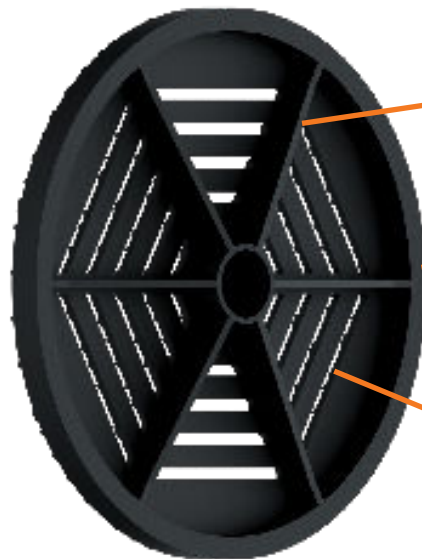
Every drain cover is custom-made to your specification, and we look forward to helping you find a solution that works! Choose your edge thickness and diameter to get started building your replacement drain cover:



CUSTOMIZED EDGE THICKNESS



TOP VIEW



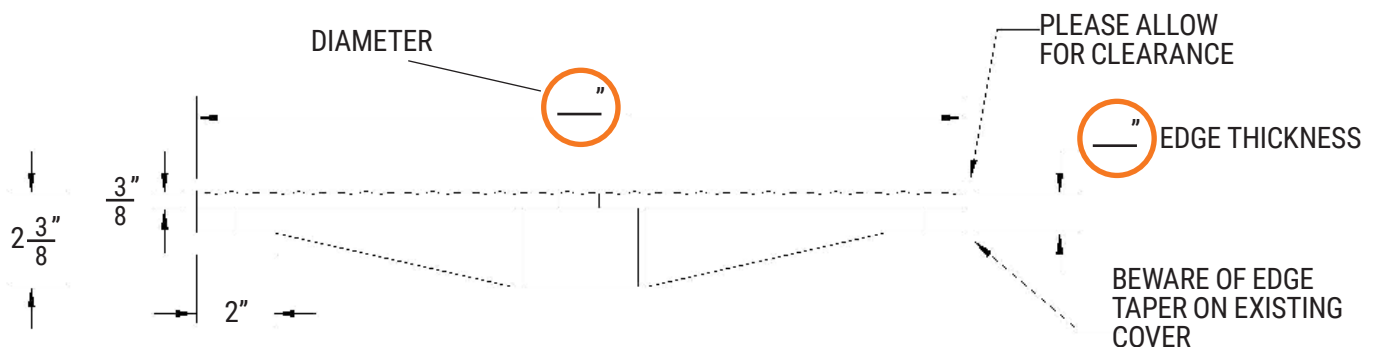
BOTTOM VIEW

3/8" THICK GUSSETS
STITCH WELDED
UNDERNEATH FOR
REINFORCEMENT
(6 TYP)

HOT ROLLED FLAT
BAR STITCH WELDED
UNDERNEATH FOR
CUSTOM EDGE
THICKNESS

1/2" DRAIN SLOTS,
EQUALLY PLACED

CUSTOMIZED DIAMETER



Visit www.manholecoversdirect.com for full list of sizes and pricing, or to request a quote for additional options.