



**MANHOLE COVERS DIRECT**  
All Purpose Manhole Design & Fabrication

**WE MAKE**  
THEM **QUICK**

**WE MAKE**  
THEM **CUSTOM**

**WE MAKE**  
THEM **FIT** NEW OR  
EXISTING  
SPACES

**Product Catalogue**

# SMALL ROUND STEEL MANHOLES BASE FLANGE FRAME



ALL PURPOSE ASTM-A36 CARBON STEEL ACCESS MANHOLES ARE INTENDED FOR CONCRETE, ASPHALT, GRASS OR DIRT INSTALLATION. ADA COMPLIANT DIAMOND PLATE COVER WITH NON-SKID SURFACE. RATED FOR H-20 SINGLE POINT WHEEL LOADING FOR VEHICLE TRAFFIC UNDER 25MPH. HEAVY DUTY FLAT BAR FRAME, ALL WELDED CONSTRUCTION. PAINTED BLACK FINISH. MADE IN THE USA.



## LAY IN COVER

Lay In Style with 1/2" x 1" Pick Hole for Easy Removal



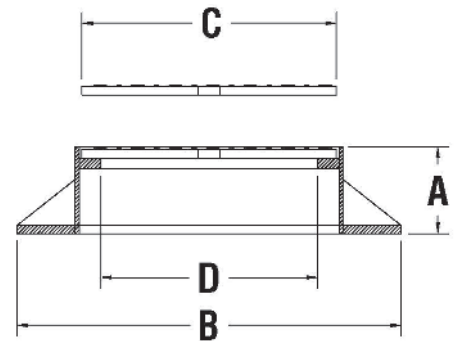
## BOLT DOWN COVER

Bolt Down Style with Gasket, Stainless Steel Hardware

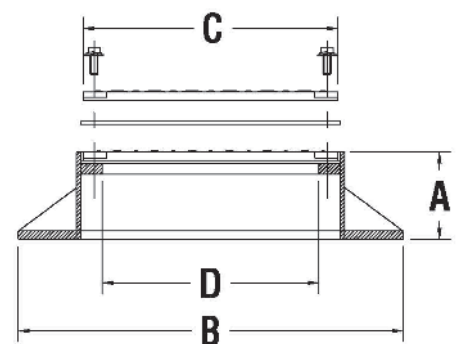


SIZE	LAY IN MODEL	BOLT DOWN MODEL	A	B	C	D
8"	R2-8x2-STN	R2-8x2-BD	2"	12"	8-3/8"	5-3/4"
	R2-8x3-STN	R2-8x3-BD	3"			
	R2-8x4-STN	R2-8x4-BD	4"			
	R2-8x5-STN	R2-8x5-BD	5"			
	R2-8x6-STN	R2-8x6-BD	6"			
	R2-8x8-STN	R2-8x8-BD	8"			
	R2-8x10-STN	R2-8x10-BD	10"			
	R2-8x12-STN	R2-8x12-BD	12"			
12"	R2-12x2-STN	R2-12x2-BD	2"	17"	12-3/8"	9-1/2"
	R2-12x3-STN	R2-12x3-BD	3"			
	R2-12x4-STN	R2-12x4-BD	4"			
	R2-12x5-STN	R2-12x5-BD	5"			
	R2-12x6-STN	R2-12x6-BD	6"			
	R2-12x8-STN	R2-12x8-BD	8"			
	R2-12x10-STN	R2-12x10-BD	10"			
	R2-12x12-STN	R2-12x12-BD	12"			
18"	R2-18x2-STN	R2-18x2-BD	2"	22-3/4"	18"	15"
	R2-18x3-STN	R2-18x3-BD	3"			
	R2-18x4-STN	R2-18x4-BD	4"			
	R2-18x5-STN	R2-18x5-BD	5"			
	R2-18x6-STN	R2-18x6-BD	6"			
	R2-18x8-STN	R2-18x8-BD	8"			
	R2-18x10-STN	R2-18x10-BD	10"			
	R2-18x12-STN	R2-18x12-BD	12"			

### LAY IN COVER



### BOLT DOWN COVER



# MEDIUM ROUND STEEL MANHOLES BASE FLANGE FRAME



ALL PURPOSE ASTM-A36 CARBON STEEL ACCESS MANHOLES ARE INTENDED FOR CONCRETE, ASPHALT, GRASS OR DIRT INSTALLATION. ADA COMPLIANT DIAMOND PLATE COVER WITH NON-SKID SURFACE. RATED FOR H-20 SINGLE POINT WHEEL LOADING FOR VEHICLE TRAFFIC UNDER 25MPH. HEAVY DUTY FLAT BAR FRAME, ALL WELDED CONSTRUCTION. PAINTED BLACK FINISH. MADE IN THE USA.



## LAY IN COVER

Lay In Style with 1/2" x 1" Pick Hole for Easy Removal

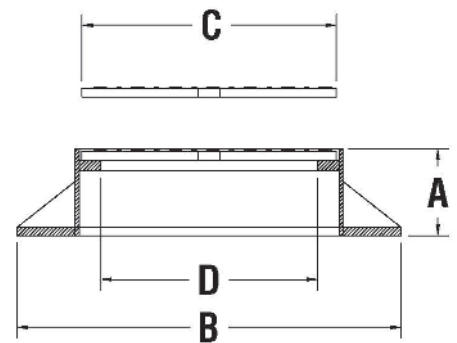
## BOLT DOWN COVER

Bolt Down Style with Gasket, Stainless Steel Hardware, Recessed Pick Eye Handle

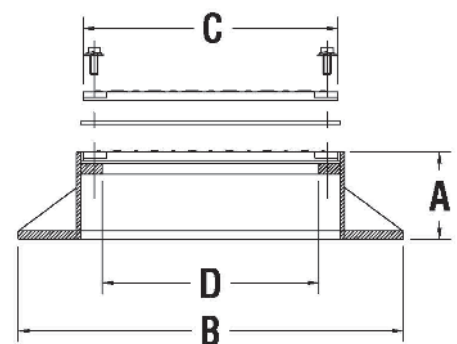


SIZE	LAY IN MODEL	BOLT DOWN MODEL	A	B	C	D
20"	R2-20x2-STN	R2-20x2-BD	2"	23-3/4"	19-3/4"	18"
	R2-20x3-STN	R2-20x3-BD	3"			
	R2-20x4-STN	R2-20x4-BD	4"			
	R2-20x5-STN	R2-20x5-BD	5"			
	R2-20x6-STN	R2-20x6-BD	6"			
	R2-20x8-STN	R2-20x8-BD	8"			
	R2-20x10-STN	R2-20x10-BD	10"			
	R2-20x12-STN	R2-20x12-BD	12"			
24"	R2-24x2-STN	R2-24x2-BD	2"	28-3/8"	23-3/4"	22"
	R2-24x3-STN	R2-24x3-BD	3"			
	R2-24x4-STN	R2-24x4-BD	4"			
	R2-24x5-STN	R2-24x5-BD	5"			
	R2-24x6-STN	R2-24x6-BD	6"			
	R2-24x8-STN	R2-24x8-BD	8"			
	R2-24x10-STN	R2-24x10-BD	10"			
	R2-24x12-STN	R2-24x12-BD	12"			
30"	R2-30x2-STN	R2-30x2-BD	2"	34-3/8"	29-3/4"	28"
	R2-30x3-STN	R2-30x3-BD	3"			
	R2-30x4-STN	R2-30x4-BD	4"			
	R2-30x5-STN	R2-30x5-BD	5"			
	R2-30x6-STN	R2-30x6-BD	6"			
	R2-30x8-STN	R2-30x8-BD	8"			
	R2-30x10-STN	R2-30x10-BD	10"			
	R2-30x12-STN	R2-30x12-BD	12"			

### LAY IN COVER



### BOLT DOWN COVER



# LARGE ROUND STEEL MANHOLES BASE FLANGE FRAME



ALL PURPOSE ASTM-A36 CARBON STEEL ACCESS MANHOLES ARE INTENDED FOR CONCRETE, ASPHALT, GRASS OR DIRT INSTALLATION. ADA COMPLIANT DIAMOND PLATE COVER WITH NON-SKID SURFACE. RATED FOR H-20 SINGLE POINT WHEEL LOADING FOR VEHICLE TRAFFIC UNDER 25MPH. HEAVY DUTY FLAT BAR FRAME, ALL WELDED CONSTRUCTION. PAINTED BLACK FINISH. MADE IN THE USA.



## LAY IN COVER

Lay In Style with Round Bar Handles



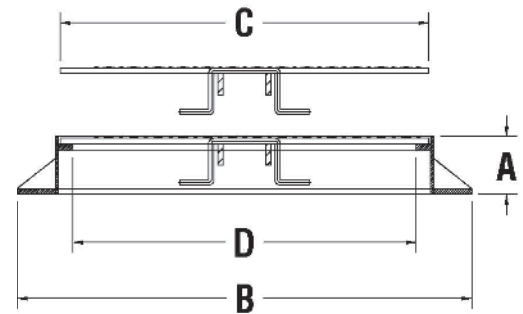
## BOLT DOWN COVER

Bolt Down Style with Gasket, Stainless Steel Hardware, Recessed Pick Eye Handles



SIZE	LAY IN MODEL	BOLT DOWN MODEL	A	B	C	D
32"	R2-32x2-STN	R2-32x2-BD	2"	35-3/4"	31-3/4"	30"
	R2-32x3-STN	R2-32x3-BD	3"			
	R2-32x4-STN	R2-32x4-BD	4"			
	R2-32x5-STN	R2-32x5-BD	5"			
	R2-32x6-STN	R2-32x6-BD	6"			
	R2-32x8-STN	R2-32x8-BD	8"			
	R2-32x10-STN	R2-32x10-BD	10"			
	R2-32x12-STN	R2-32x12-BD	12"			
36"	R2-36x2-STN	R2-36x2-BD	2"	41-3/8"	35-3/4"	34"
	R2-36x3-STN	R2-36x3-BD	3"			
	R2-36x4-STN	R2-36x4-BD	4"			
	R2-36x5-STN	R2-36x5-BD	5"			
	R2-36x6-STN	R2-36x6-BD	6"			
	R2-36x8-STN	R2-36x8-BD	8"			
	R2-36x10-STN	R2-36x10-BD	10"			
	R2-36x12-STN	R2-36x12-BD	12"			
38"	R2-38x2-STN	R2-38x2-BD	2"	43-3/8"	37-3/4"	36"
	R2-38x3-STN	R2-38x3-BD	3"			
	R2-38x4-STN	R2-38x4-BD	4"			
	R2-38x5-STN	R2-38x5-BD	5"			
	R2-38x6-STN	R2-38x6-BD	6"			
	R2-38x8-STN	R2-38x8-BD	8"			
	R2-38x10-STN	R2-38x10-BD	10"			
	R2-38x12-STN	R2-38x12-BD	12"			

### LAY IN COVER



### BOLT DOWN COVER

