



MANHOLE COVERS DIRECT
All Purpose Manhole Design & Fabrication

WE MAKE
THEM **QUICK**

WE MAKE
THEM **CUSTOM**

WE MAKE
THEM **FIT** NEW OR
EXISTING
SPACES

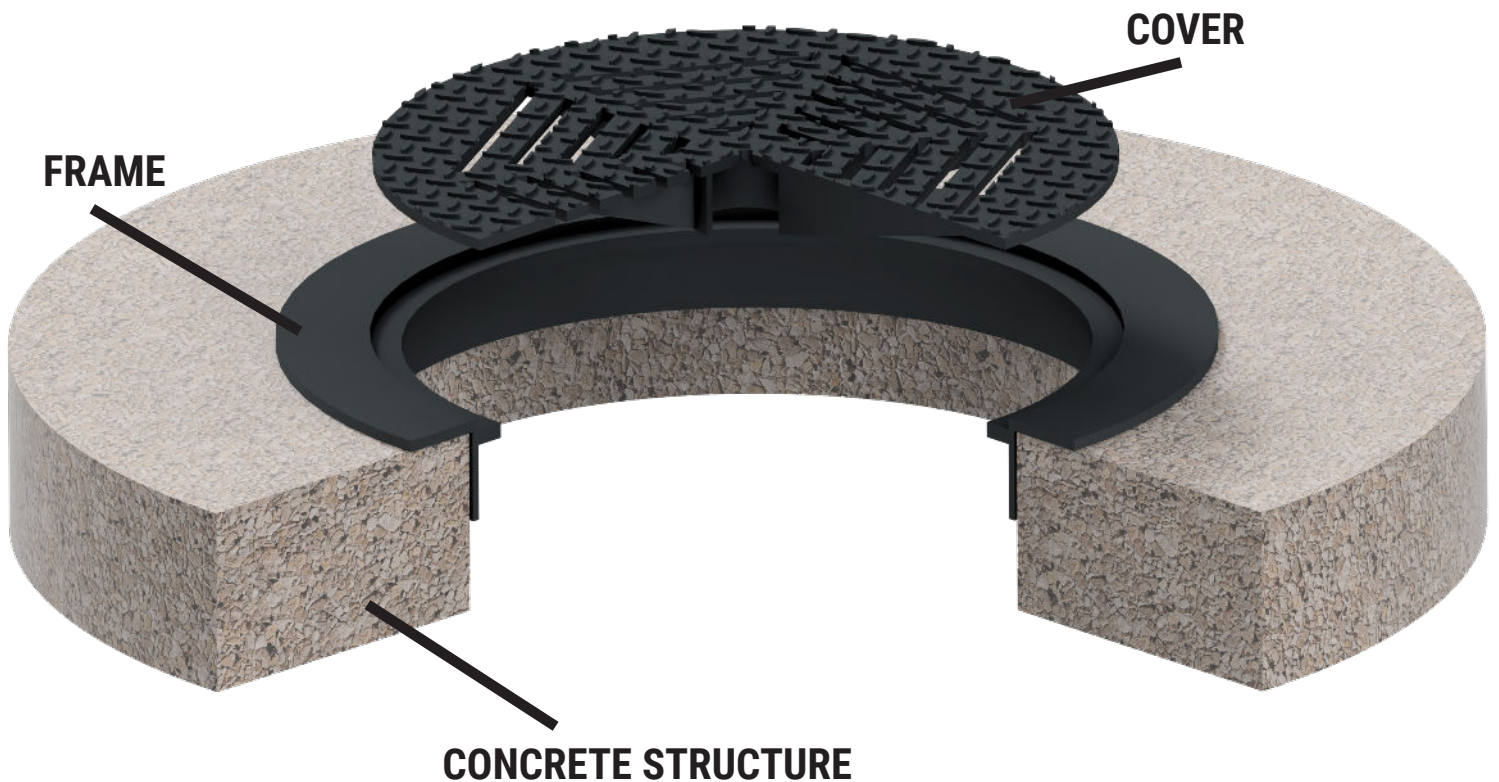
Product Catalogue

ROUND STEEL DRAIN MANHOLES TOP FLANGE FRAME



INSTALLED VIEW

INTENDED FOR CONCRETE INSTALLATION



ROUND STEEL DRAIN MANHOLES TOP FLANGE FRAME

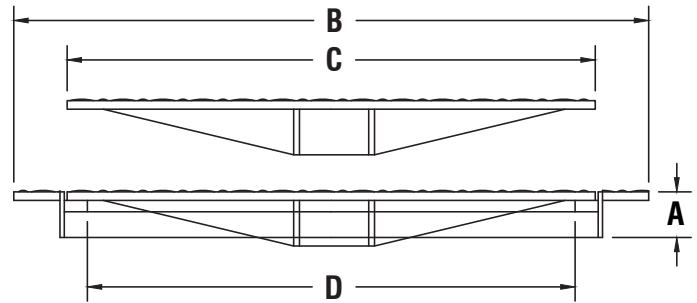


ALL PURPOSE ASTM-A36 CARBON STEEL DRAIN MANHOLES ARE INTENDED FOR CONCRETE INSTALLATION. DIAMOND PLATE COVER WITH NON-SKID SURFACE. RATED FOR H-20 SINGLE POINT WHEEL LOADING FOR VEHICLE TRAFFIC UNDER 25MPH. HEAVY DUTY FLAT BAR FRAME, ALL WELDED CONSTRUCTION. PAINTED BLACK FINISH. MADE IN THE USA.



LAY IN COVER

1/2" Drain Slots, Gusset Reinforcements



SIZE	MODEL	A	B	C	D
8"	R1-8x2-DC	2"	12"	8-3/8"	5-3/4"
	R1-8x3-DC	3"			
	R1-8x4-DC	4"			
12"	R1-12x2-DC	2"	17"	12-3/8"	9-1/2"
	R1-12x3-DC	3"			
	R1-12x4-DC	4"			
18"	R1-18x2-DC	2"	22-3/4"	18"	15"
	R1-18x3-DC	3"			
	R1-18x4-DC	4"			
20"	R1-20x2-DC	2"	23-3/4"	19-3/4"	18"
	R1-20x3-DC	3"			
	R1-20x4-DC	4"			

SIZE	MODEL	A	B	C	D
24"	R1-24x2-DC	2"	28-3/8"	23-3/4"	22"
	R1-24x3-DC	3"			
	R1-24x4-DC	4"			
30"	R1-30x2-DC	2"	34-3/8"	29-3/4"	28"
	R1-30x3-DC	3"			
	R1-30x4-DC	4"			
32"	R1-32x2-DC	2"	35-3/4"	31-3/4"	30"
	R1-32x3-DC	3"			
	R1-32x4-DC	4"			
36"	R1-36x2-DC	2"	41-3/8"	35-3/4"	34"
	R1-36x3-DC	3"			
	R1-36x4-DC	4"			