



MANHOLE COVERS DIRECT
All Purpose Manhole Design & Fabrication

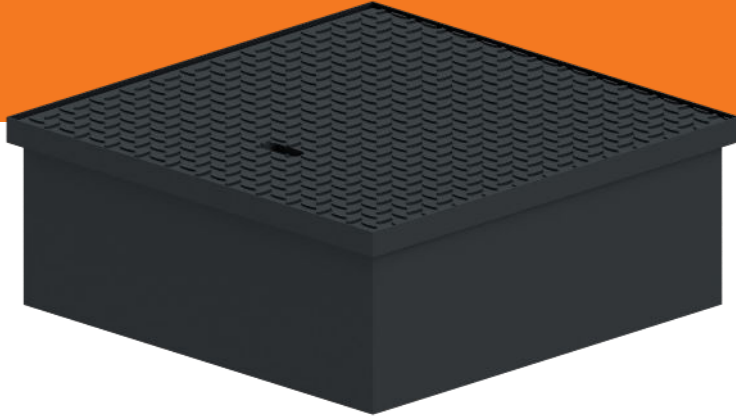
WE MAKE
THEM **QUICK**

WE MAKE
THEM **CUSTOM**

WE MAKE
THEM **FIT** NEW OR
EXISTING
SPACES

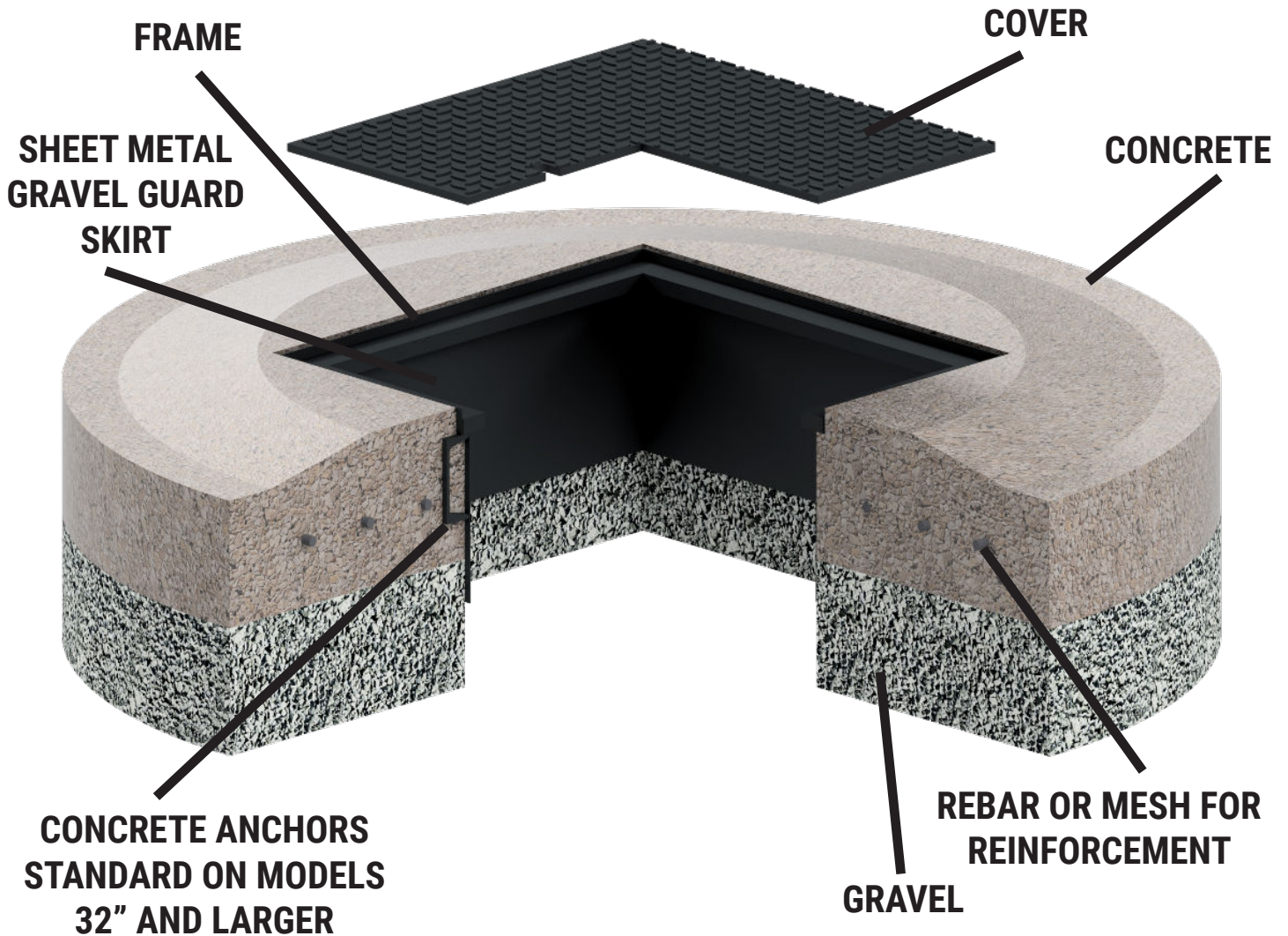
Product Catalog - Square Manholes

SQUARE STEEL MANHOLES GRAVEL GUARD FRAME



INSTALLED VIEW

INTENDED FOR CONCRETE INSTALLATION



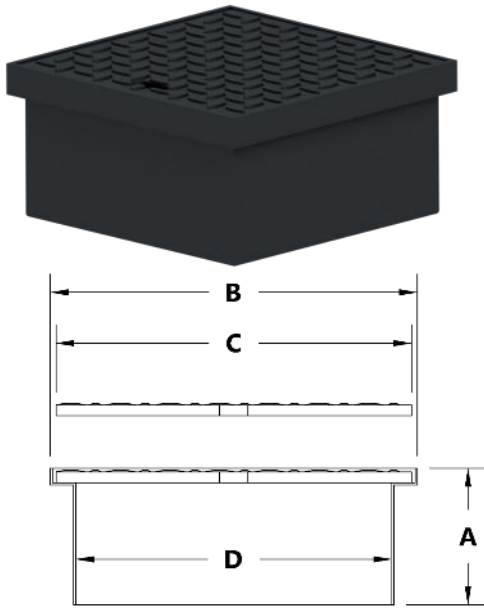
SMALL SQUARE STEEL MANHOLES

ALL PURPOSE ASTM-A36 CARBON STEEL ACCESS MANHOLES DESIGNED TO BE INSTALLED IN CONCRETE APPLICATIONS. ADA COMPLIANT DIAMOND PLATE COVER WITH NON-SKID SURFACE. RATED FOR H-20 SINGLE POINT WHEEL LOADING FOR VEHICLE TRAFFIC UNDER 25MPH. HEAVY DUTY 14 GAUGE FRAME AND SKIRT, ALL WELDED CONSTRUCTION. PAINTED BLACK FINISH. MADE IN THE USA.



LAY IN COVERS

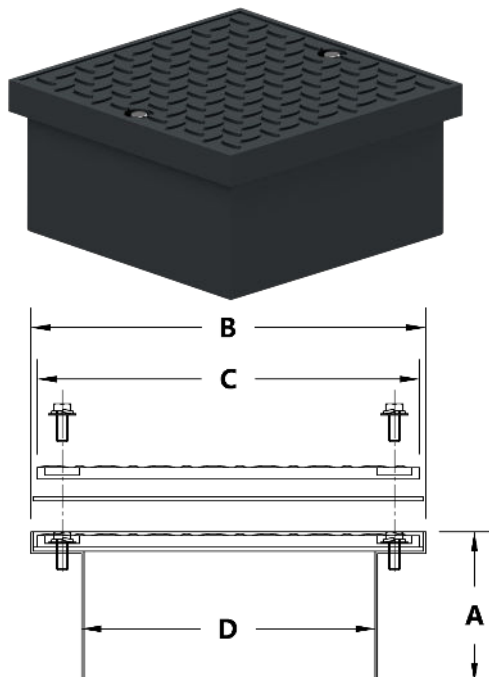
Lay In Style Cover with 1/2" x 1" Pick Hole for Easy Removal



SIZE	MODEL	A	B	C	D
8"	S-8x4-STN	4"	8"	7-5/8"	6-1/4"
	S-8x6-STN	6"			
	S-8x8-STN	8"			
	S-8x12-STN	12"			
	S-8x18-STN	18"			
	S-8x24-STN	24"			
	S-8x36-STN	36"			
12"	S-12x4-STN	4"	12"	11-5/8"	10-1/4"
	S-12x6-STN	6"			
	S-12x8-STN	8"			
	S-12x12-STN	12"			
	S-12x18-STN	18"			
	S-12x24-STN	24"			
	S-12x36-STN	36"			
18"	S-18x4-STN	4"	18"	17-5/8"	16-1/4"
	S-18x6-STN	6"			
	S-18x8-STN	8"			
	S-18x12-STN	12"			
	S-18x18-STN	18"			
	S-18x24-STN	24"			
	S-18x36-STN	36"			

BOLT DOWN COVERS

Bolt Down Style Cover with Gasket and Stainless Steel Hardware



SIZE	MODEL	A	B	C	D
8"	S-8x4-BD	4"	8"	7-1/2"	5"
	S-8x6-BD	6"			
	S-8x8-BD	8"			
	S-8x12-BD	12"			
	S-8x18-BD	18"			
	S-8x24-STN	24"			
	S-8x36-STN	36"			
12"	S-12x4-BD	4"	12"	11-1/2"	9"
	S-12x6-BD	6"			
	S-12x8-BD	8"			
	S-12x12-BD	12"			
	S-12x18-BD	18"			
	S-12x24-BD	24"			
	S-12x36-STN	36"			
18"	S-18x4-BD	4"	18"	17-1/2"	15"
	S-18x6-BD	6"			
	S-18x8-BD	8"			
	S-18x12-BD	12"			
	S-18x18-BD	18"			
	S-18x24-STN	24"			
	S-18x36-STN	36"			

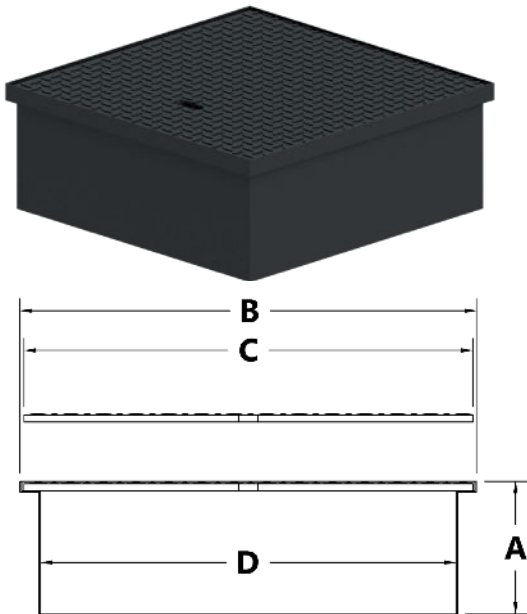
MEDIUM SQUARE STEEL MANHOLES

ALL PURPOSE ASTM-A36 CARBON STEEL ACCESS MANHOLES DESIGNED TO BE INSTALLED IN CONCRETE APPLICATIONS. ADA COMPLIANT DIAMOND PLATE COVER WITH NON-SKID SURFACE. RATED FOR H-20 SINGLE POINT WHEEL LOADING FOR VEHICLE TRAFFIC UNDER 25MPH. HEAVY DUTY 14 GAUGE FRAME AND SKIRT, ALL WELDED CONSTRUCTION. PAINTED BLACK FINISH. MADE IN THE USA.



LAY IN COVERS

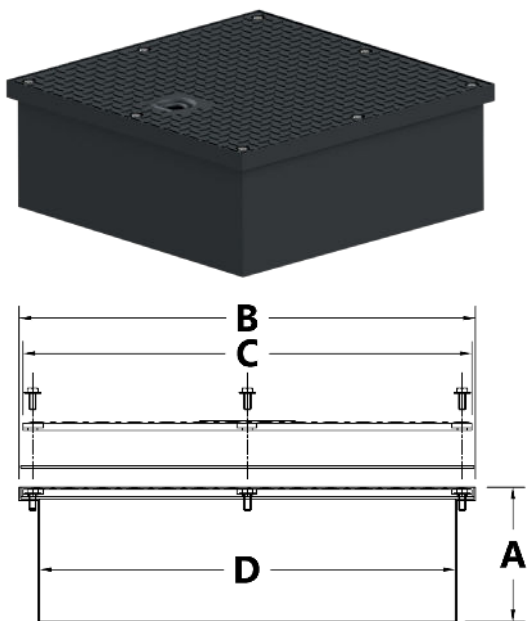
Lay In Style Cover with 1/2" x 1" Pick Hole for Easy Removal



SIZE	MODEL	A	B	C	D
20"	S-20x4-STN	4"	20"	19-5/8"	18-1/4"
	S-20x6-STN	6"			
	S-20x8-STN	8"			
	S-20x12-STN	12"			
	S-20x18-STN	18"			
	S-20x24-STN	24"			
24"	S-20x36-STN	36"	24"	23-5/8"	22-1/4"
	S-24x4-STN	4"			
	S-24x6-STN	6"			
	S-24x8-STN	8"			
	S-24x12-STN	12"			
	S-24x18-STN	18"			
30"	S-24x24-STN	24"	30"	29-5/8"	28-1/4"
	S-24x36-STN	36"			
	S-30x4-STN	4"			
	S-30x6-STN	6"			
	S-30x8-STN	8"			
	S-30x12-STN	12"			
30"	S-30x18-STN	18"	30"	29-5/8"	28-1/4"
	S-30x24-STN	24"			
	S-30x36-STN	36"			

BOLT DOWN COVERS

Bolt Down Style with Gasket and Stainless Steel Hardware, Recessed Pick Eye Handle



SIZE	MODEL	A	B	C	D
20"	S-20x4-BD	4"	20"	19-1/2"	17"
	S-20x6-BD	6"			
	S-20x8-BD	8"			
	S-20x12-BD	12"			
	S-20x18-BD	18"			
	S-20x24-BD	24"			
24"	S-20x36-BD	36"	24"	23-1/2"	21"
	S-24x4-BD	4"			
	S-24x6-BD	6"			
	S-24x8-BD	8"			
	S-24x12-BD	12"			
	S-24x18-BD	18"			
30"	S-24x24-BD	24"	30"	29-1/2"	27"
	S-24x36-BD	36"			
	S-30x4-BD	4"			
	S-30x6-BD	6"			
	S-30x8-BD	8"			
	S-30x12-BD	12"			
30"	S-30x18-BD	18"	30"	29-1/2"	27"
	S-30x24-BD	24"			
	S-30x36-BD	36"			

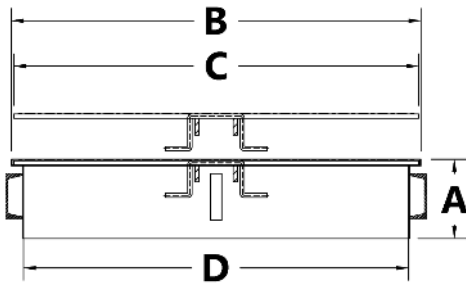
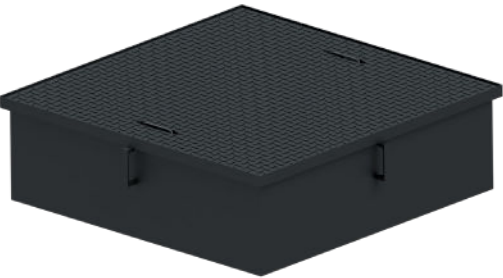
LARGE SQUARE STEEL MANHOLES

ALL PURPOSE ASTM-A36 CARBON STEEL ACCESS MANHOLES DESIGNED TO BE INSTALLED IN CONCRETE APPLICATIONS. ADA COMPLIANT DIAMOND PLATE COVER WITH NON-SKID SURFACE. RATED FOR H-20 SINGLE POINT WHEEL LOADING FOR VEHICLE TRAFFIC UNDER 25MPH. HEAVY DUTY 11 GAUGE FRAME AND SKIRT, ALL WELDED CONSTRUCTION. PAINTED BLACK FINISH. MADE IN THE USA.



LAY IN COVERS

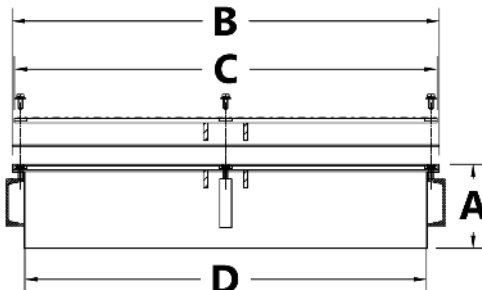
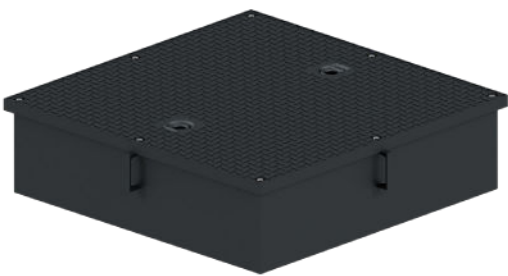
Lay In Style with Round Bar Handles, Concrete Anchors



SIZE	MODEL	A	B	C	D
32"	S-32x4-STN	4"	32"	31-1/2"	29"
	S-32x6-STN	6"			
	S-32x8-STN	8"			
	S-32x12-STN	12"			
	S-32x18-STN	18"			
	S-32x24-STN	24"			
36"	S-32x36-STN	36"	36"	35-1/2"	33"
	S-36x4-STN	4"			
	S-36x6-STN	6"			
	S-36x8-STN	8"			
	S-36x12-STN	12"			
	S-36x18-STN	18"			
38"	S-36x24-STN	24"	38"	37-1/2"	35"
	S-36x36-STN	36"			
	S-38x4-STN	4"			
	S-38x6-STN	6"			
	S-38x8-STN	8"			
	S-38x12-STN	12"			
38"	S-38x18-STN	18"	38"	37-1/2"	35"
	S-38x24-STN	24"			
	S-38x36-STN	36"			

BOLT DOWN COVERS

Bolt Down Style with Gasket, Stainless Steel Hardware, Recessed Pick Eye Handles, Concrete Anchors



SIZE	MODEL	A	B	C	D
32"	S-32x4-BD	4"	32"	31-1/2"	29"
	S-32x6-BD	6"			
	S-32x8-BD	8"			
	S-32x12-BD	12"			
	S-32x18-BD	18"			
	S-32x24-BD	24"			
36"	S-32x36-BD	36"	36"	35-1/2"	33"
	S-36x4-BD	4"			
	S-36x6-BD	6"			
	S-36x8-BD	8"			
	S-36x12-BD	12"			
	S-36x18-BD	18"			
38"	S-36x24-BD	24"	38"	37-1/2"	35"
	S-36x36-BD	36"			
	S-38x4-BD	4"			
	S-38x6-BD	6"			
	S-38x8-BD	8"			
	S-38x12-BD	12"			
38"	S-38x18-BD	18"	38"	37-1/2"	35"
	S-38x24-BD	24"			
	S-38x36-BD	36"			

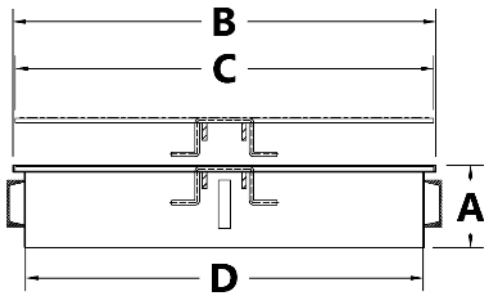
XL SQUARE STEEL MANHOLES

ALL PURPOSE ASTM-A36 CARBON STEEL ACCESS MANHOLES DESIGNED TO BE INSTALLED IN CONCRETE APPLICATIONS. ADA COMPLIANT DIAMOND PLATE COVER WITH NON-SKID SURFACE. RATED FOR H-20 SINGLE POINT WHEEL LOADING FOR VEHICLE TRAFFIC UNDER 25MPH. HEAVY DUTY 11 GAUGE FRAME AND SKIRT, ALL WELDED CONSTRUCTION. PAINTED BLACK FINISH. MADE IN THE USA.



LAY IN COVERS

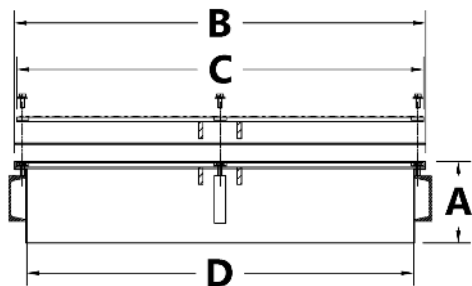
Lay In Style with Round Bar Handles, Concrete Anchors



SIZE	MODEL	A	B	C	D
42"	S-42x4-STN	4"	42"	41-1/2"	39"
	S-42x6-STN	6"			
	S-42x8-STN	8"			
	S-42x12-STN	12"			
	S-42x18-STN	18"			
	S-42x24-STN	24"			
S-42x36-STN	36"				
48"	S-48x4-STN	4"	48"	47-1/2"	45"
	S-48x6-STN	6"			
	S-48x8-STN	8"			
	S-48x12-STN	12"			
	S-48x18-STN	18"			
	S-48x24-STN	24"			
S-48x36-STN	36"				
60"	S-60x4-STN	4"	60"	59-1/2"	57"
	S-60x6-STN	6"			
	S-60x8-STN	8"			
	S-60x12-STN	12"			
	S-60x18-STN	18"			
	S-60x24-STN	24"			
S-60x36-STN	36"				

BOLT DOWN COVERS

Bolt Down Style with Gasket, Stainless Steel Hardware, Recessed Pick Eye Handles, Concrete Anchors



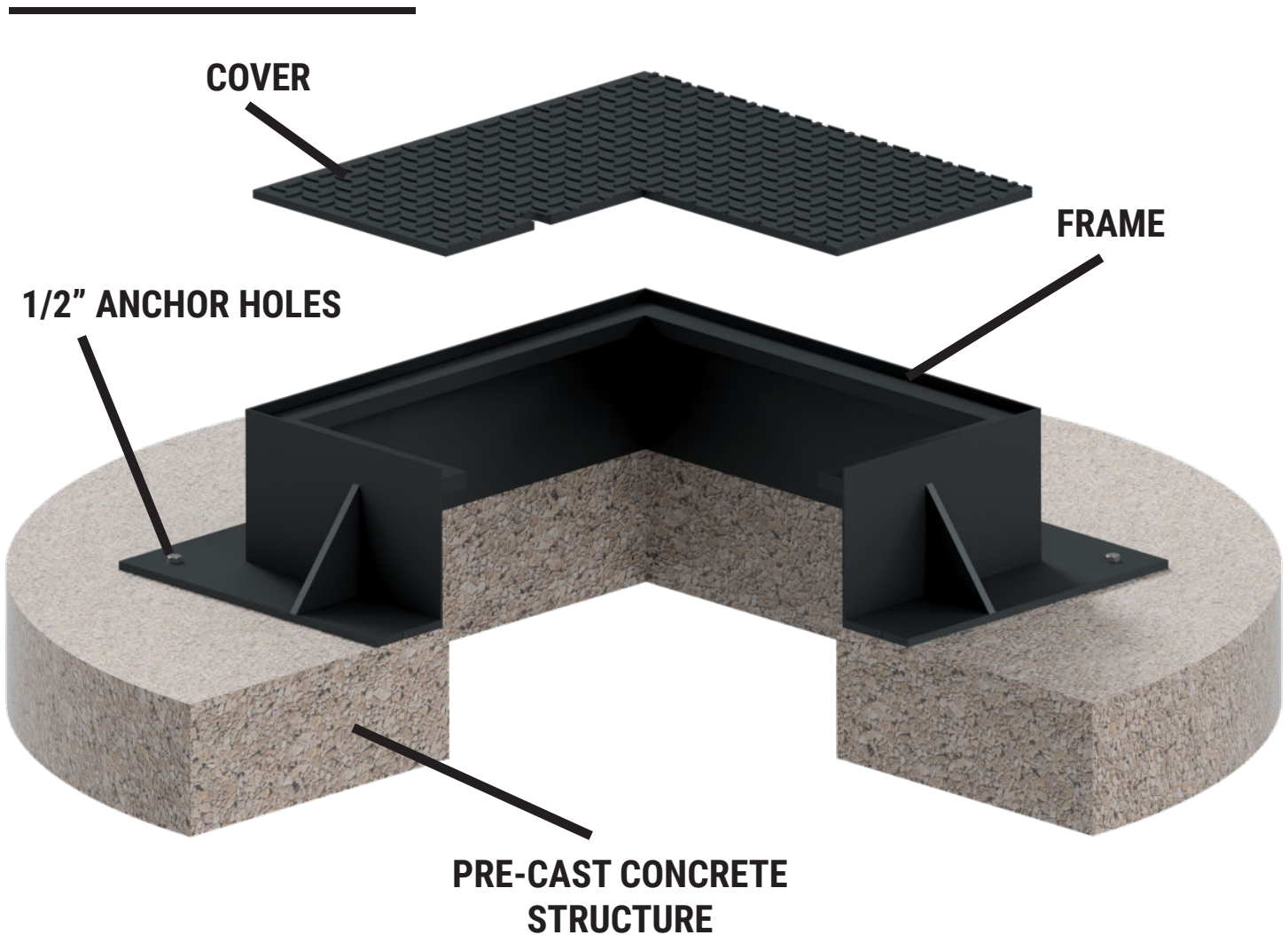
SIZE	MODEL	A	B	C	D
42"	S-42x4-BD	4"	42"	41-1/2"	39"
	S-42x6-BD	6"			
	S-42x8-BD	8"			
	S-42x12-BD	12"			
	S-42x18-BD	18"			
	S-42x24-BD	24"			
S-42x36-BD	36"				
48"	S-48x4-BD	4"	48"	47-1/2"	45"
	S-48x6-BD	6"			
	S-48x8-BD	8"			
	S-48x12-BD	12"			
	S-48x18-BD	18"			
	S-48x24-BD	24"			
S-48x36-BD	36"				
60"	S-60x4-BD	4"	60"	59-1/2"	57"
	S-60x6-BD	6"			
	S-60x8-BD	8"			
	S-60x12-BD	12"			
	S-60x18-BD	18"			
	S-60x24-BD	24"			
S-60x36-BD	36"				

SQUARE STEEL MANHOLES BASE FLANGE FRAME



INSTALLED VIEW

INTENDED FOR CONCRETE, ASPHALT, GRASS OR DIRT INSTALLATION



SMALL SQUARE STEEL MANHOLES BASE FLANGE FRAME



ALL PURPOSE ASTM-A36 CARBON STEEL ACCESS MANHOLES ARE INTENDED FOR CONCRETE, ASPHALT, GRASS OR DIRT INSTALLATION. ADA COMPLIANT DIAMOND PLATE COVER WITH NON-SKID SURFACE. RATED FOR H-20 SINGLE POINT WHEEL LOADING FOR VEHICLE TRAFFIC UNDER 25MPH. HEAVY DUTY FLAT BAR FRAME, ALL WELDED CONSTRUCTION. PAINTED BLACK FINISH. MADE IN THE USA.



LAY IN COVER

Lay In Style with 1/2" x 1" Pick Hole for Easy Removal



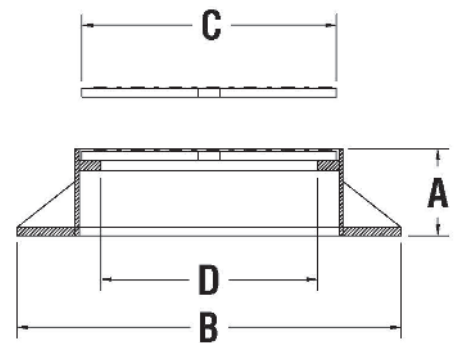
BOLT DOWN COVER

Bolt Down Style with Gasket, Stainless Steel Hardware

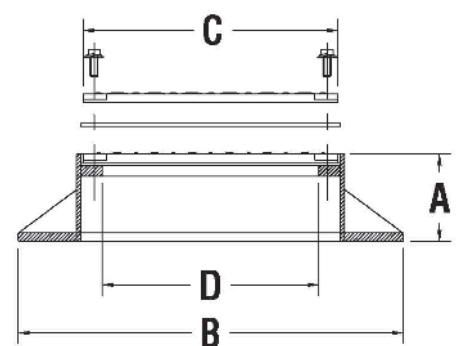


SIZE	LAY IN MODEL	BOLT DOWN MODEL	A	B	C	D
8"	S2-8x2-STN	S2-8x2-BD	2"	12"	8-3/8"	4-3/4"
	S2-8x3-STN	S2-8x3-BD	3"			
	S2-8x4-STN	S2-8x4-BD	4"			
	S2-8x5-STN	S2-8x5-BD	5"			
	S2-8x6-STN	S2-8x6-BD	6"			
	S2-8x8-STN	S2-8x8-BD	8"			
	S2-8x10-STN	S2-8x10-BD	10"			
	S2-8x12-STN	S2-8x12-BD	12"			
12"	S2-12x2-STN	S2-12x2-BD	2"	17"	12-3/8"	8-1/2"
	S2-12x3-STN	S2-12x3-BD	3"			
	S2-12x4-STN	S2-12x4-BD	4"			
	S2-12x5-STN	S2-12x5-BD	5"			
	S2-12x6-STN	S2-12x6-BD	6"			
	S2-12x8-STN	S2-12x8-BD	8"			
	S2-12x10-STN	S2-12x10-BD	10"			
	S2-12x12-STN	S2-12x12-BD	12"			
18"	S2-18x2-STN	S2-18x2-BD	2"	22-3/4"	18"	14"
	S2-18x3-STN	S2-18x3-BD	3"			
	S2-18x4-STN	S2-18x4-BD	4"			
	S2-18x5-STN	S2-18x5-BD	5"			
	S2-18x6-STN	S2-18x6-BD	6"			
	S2-18x8-STN	S2-18x8-BD	8"			
	S2-18x10-STN	S2-18x10-BD	10"			
	S2-18x12-STN	S2-18x12-BD	12"			

LAY IN COVER



BOLT DOWN COVER



MEDIUM SQUARE STEEL MANHOLES BASE FLANGE FRAME



ALL PURPOSE ASTM-A36 CARBON STEEL ACCESS MANHOLES ARE INTENDED FOR CONCRETE, ASPHALT, GRASS OR DIRT INSTALLATION. ADA COMPLIANT DIAMOND PLATE COVER WITH NON-SKID SURFACE. RATED FOR H-20 SINGLE POINT WHEEL LOADING FOR VEHICLE TRAFFIC UNDER 25MPH. HEAVY DUTY FLAT BAR FRAME, ALL WELDED CONSTRUCTION. PAINTED BLACK FINISH. MADE IN THE USA.



LAY IN COVER

Lay In Style with 1/2" x 1" Pick Hole for Easy Removal



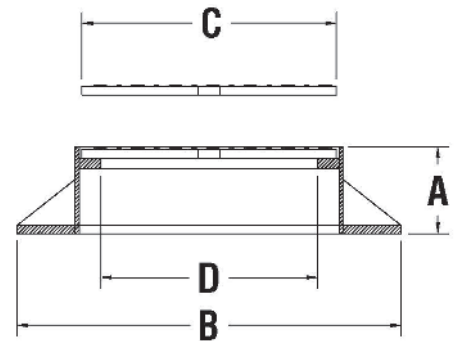
BOLT DOWN COVER

Bolt Down Style with Gasket, Stainless Steel Hardware, Recessed Pick Eye Handle

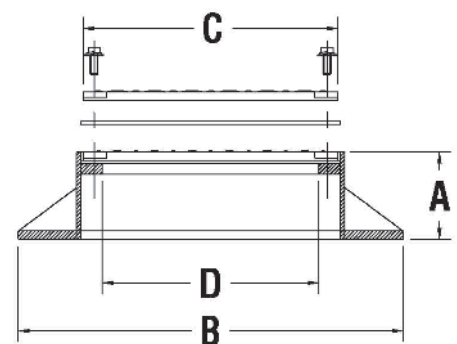


SIZE	LAY IN MODEL	BOLT DOWN MODEL	A	B	C	D
20"	S2-20x2-STN	S2-20x2-BD	2"	23-3/4"	19-3/4"	17"
	S2-20x3-STN	S2-20x3-BD	3"			
	S2-20x4-STN	S2-20x4-BD	4"			
	S2-20x5-STN	S2-20x5-BD	5"			
	S2-20x6-STN	S2-20x6-BD	6"			
	S2-20x8-STN	S2-20x8-BD	8"			
	S2-20x10-STN	S2-20x10-BD	10"			
	S2-20x12-STN	S2-20x12-BD	12"			
24"	S2-24x2-STN	S2-24x2-BD	2"	28-3/8"	23-3/4"	21"
	S2-24x3-STN	S2-24x3-BD	3"			
	S2-24x4-STN	S2-24x4-BD	4"			
	S2-24x5-STN	S2-24x5-BD	5"			
	S2-24x6-STN	S2-24x6-BD	6"			
	S2-24x8-STN	S2-24x8-BD	8"			
	S2-24x10-STN	S2-24x10-BD	10"			
	S2-24x12-STN	S2-24x12-BD	12"			
30"	S2-30x2-STN	S2-30x2-BD	2"	34-3/8"	29-3/4"	27"
	S2-30x3-STN	S2-30x3-BD	3"			
	S2-30x4-STN	S2-30x4-BD	4"			
	S2-30x5-STN	S2-30x5-BD	5"			
	S2-30x6-STN	S2-30x6-BD	6"			
	S2-30x8-STN	S2-30x8-BD	8"			
	S2-30x10-STN	S2-30x10-BD	10"			
	S2-30x12-STN	S2-30x12-BD	12"			

LAY IN COVER



BOLT DOWN COVER



LARGE SQUARE STEEL MANHOLES BASE FLANGE FRAME

ALL PURPOSE ASTM-A36 CARBON STEEL ACCESS MANHOLES ARE INTENDED FOR CONCRETE, ASPHALT, GRASS OR DIRT INSTALLATION. ADA COMPLIANT DIAMOND PLATE COVER WITH NON-SKID SURFACE. RATED FOR H-20 SINGLE POINT WHEEL LOADING FOR VEHICLE TRAFFIC UNDER 25MPH. HEAVY DUTY FLAT BAR FRAME, ALL WELDED CONSTRUCTION. PAINTED BLACK FINISH. MADE IN THE USA.



LAY IN COVER

Lay In Style with Round Bar Handles



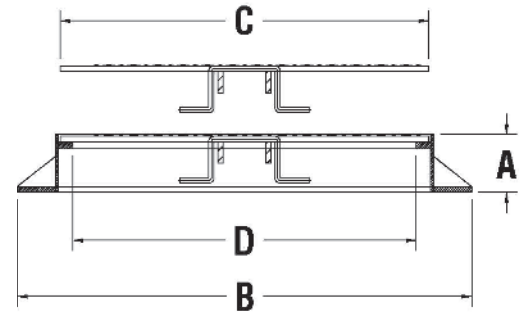
BOLT DOWN COVER

Bolt Down Style with Gasket, Stainless Steel Hardware, Recessed Pick Eye Handles

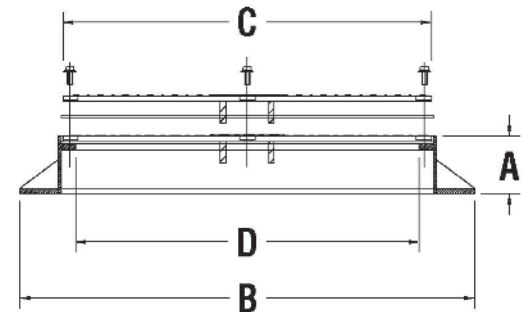


SIZE	LAY IN MODEL	BOLT DOWN MODEL	A	B	C	D
32"	S2-32x2-STN	S2-32x2-BD	2"	35-3/4"	31-3/4"	29"
	S2-32x3-STN	S2-32x3-BD	3"			
	S2-32x4-STN	S2-32x4-BD	4"			
	S2-32x5-STN	S2-32x5-BD	5"			
	S2-32x6-STN	S2-32x6-BD	6"			
	S2-32x8-STN	S2-32x8-BD	8"			
	S2-32x10-STN	S2-32x10-BD	10"			
	S2-32x12-STN	S2-32x12-BD	12"			
36"	S2-36x2-STN	S2-36x2-BD	2"	41-3/8"	35-3/4"	33"
	S2-36x3-STN	S2-36x3-BD	3"			
	S2-36x4-STN	S2-36x4-BD	4"			
	S2-36x5-STN	S2-36x5-BD	5"			
	S2-36x6-STN	S2-36x6-BD	6"			
	S2-36x8-STN	S2-36x8-BD	8"			
	S2-36x10-STN	S2-36x10-BD	10"			
	S2-36x12-STN	S2-36x12-BD	12"			
38"	S2-38x2-STN	S2-38x2-BD	2"	43-3/8"	37-3/4"	35"
	S2-38x3-STN	S2-38x3-BD	3"			
	S2-38x4-STN	S2-38x4-BD	4"			
	S2-38x5-STN	S2-38x5-BD	5"			
	S2-38x6-STN	S2-38x6-BD	6"			
	S2-38x8-STN	S2-38x8-BD	8"			
	S2-38x10-STN	S2-38x10-BD	10"			
	S2-38x12-STN	S2-38x12-BD	12"			

LAY IN COVER



BOLT DOWN COVER

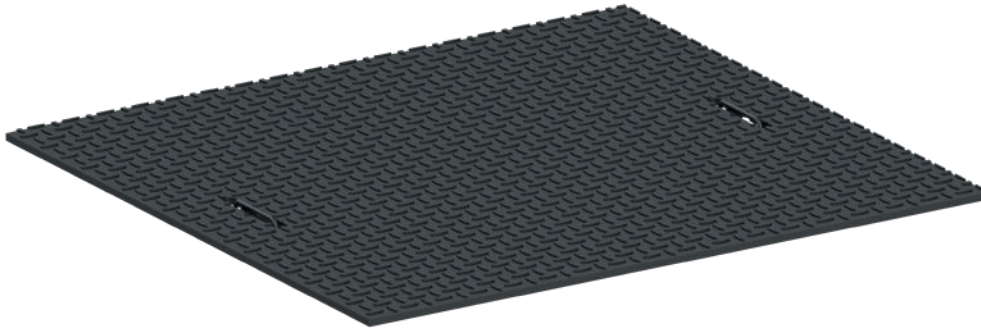


STEEL REPLACEMENT COVERS SQUARE



MEDIUM DUTY ASTM-A36 CARBON STEEL REPLACEMENT COVERS ARE ADA COMPLIANT WITH NON SKID SURFACE. IDEAL FOR GENERAL, LOW SPEED, LOW VOLUME TRAFFIC APPLICATIONS SUCH AS PARKING LOTS, GAS STATIONS, ETC. NOT FOR HIGHWAY USE. RATED FOR H-20 SINGLE POINT WHEEL LOADING FOR VEHICLE TRAFFIC UNDER 25MPH. PAINTED BLACK FINISH. MADE IN THE USA.

MEDIUM DUTY



Choose from sizes to fit our standard manholes, or request a quote to accommodate your dimension and edge thickness. Every cover is custom made to your specification, and we look forward to helping you find a solution that works!

SIZE	MODEL	DIMENSIONS	THICKNESS	(1) 1/2" X 1" PICK HOLE	(2) ROUND BAR HANDLES
8"	MD-7.625X7.625X.375	7.625" x 7.625"	3/8"	✓	
12"	MD-11.625X11.625X.375	11.625" x 11.625"		✓	
18"	MD-17.625X17.625X.375	17.625" x 17.625"		✓	
20"	MD-19.625X19.625X.375	19.625" x 19.625"		✓	
24"	MD-23.625X23.625X.375	23.625" x 23.625"		✓	
30"	MD-29.625X29.625X.375	29.625" x 29.625"		✓	
32"	MD-31.5X31.5X.375	31.5" x 31.5"	1/2"		✓
38"	MD-37.5X37.5X.375	37.5" x 37.5"			✓
42"	MD-41.5X41.5X.5	41.5"			✓
48"	MD-47.5X47.5X.5	47.5"			✓